

# CB-120-1500



## Summary

- Brake chopper module for generator operation with converter CC-75-400, CC-75-500 and CC-100-1000
- Also suitable for customized converters/applications
- Usable as electronic load in R, U and I operation
- Maximum brake power: 1,500 W
- Maximum current: 30 A
- Connection of two converters for coupled motor-motor test benches possible (power supply for each converter can be turned on/off individually)
- Power flow possible between in- and output as well as between the two outputs
- Highly dynamic voltage control for fast braking sequences
- Galvanic isolated power and control electronics
- Display of the most important operating parameters, e.g. in-/output power, in-/output current, etc.
- Configuration directly at the device or via PC control software (CelerotonPilot)

## Specifications

|   |                    |
|---|--------------------|
| Input voltage control electronics (DC)        | 24 V               |
| Input voltage power electronics $U_{in}$ (DC) | 0 – 120 V          |
| Maximum brake power                           | 1'500 W            |
| Output voltage 1, output voltage 2 (DC)       | $U_{in}$           |
| Maximum in-/output current (DC)               | 30 A               |
| Communication interface                       | USB                |
| Communication interfaces (switchable)         | RS232/ RS485, CAN  |
| PC control software                           | CelerotonPilot     |
| Weight  | 8 kg               |
| Dimensions (L x W x H)                        | 340 x 250 x 140 mm |
| Operating temperature                         | 0 – 40 °C          |

## I/O connections

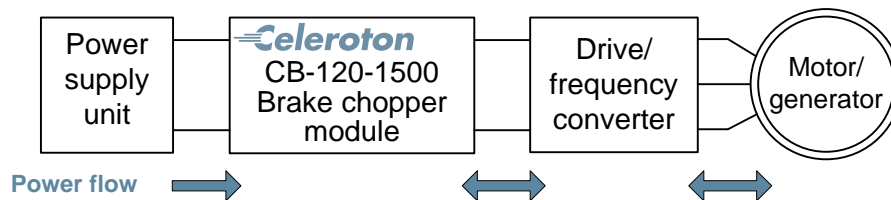
### Connector X5 – I/O interface (6 pins)

|                   |          |
|-------------------|----------|
| 2 x analog input  | 0 – 10 V |
| 2 x analog output | 0 – 10 V |
| 2 x GND           |          |

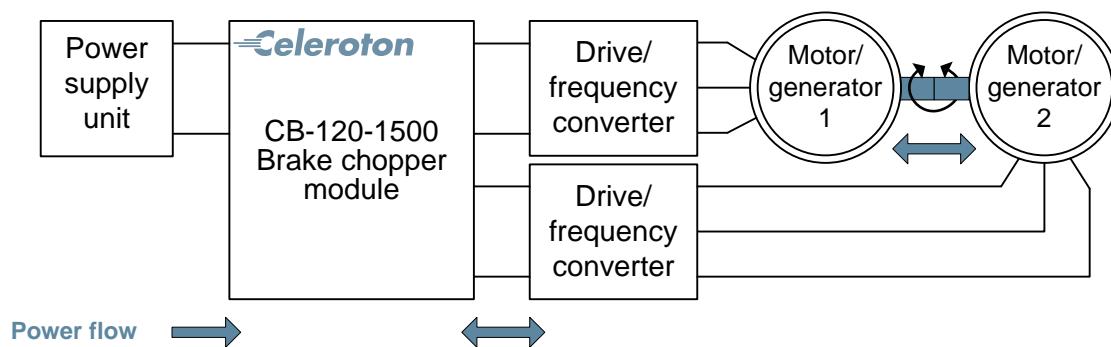
### Connector X6 – I/O interface (8 pins)

|                     |  |
|---------------------|--|
| 2 x digital inputs  | Logic level adjustable 0 – 24 V          |
| 2 x GND             |  |
| 2 x digital outputs | 0 – 24 V (relay, normally open contacts) |
| 1 x COM             | Common rail for digital outputs          |

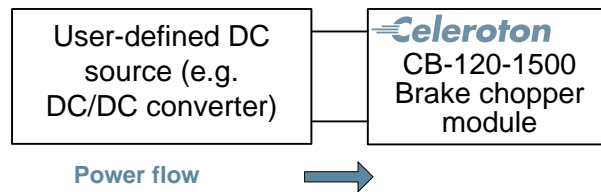
## Schematic setup chopper operation



## Schematic setup chopper operation motor-motor test bench



## Schematic setup load operation (R, U, I operation)



## Contact

Celeroton AG  
Industriestrasse 22  
8604 Volketswil  
Switzerland

Tel.: +41 44 250 52 20  
Fax: +41 44 250 52 29  
[info@celeroton.com](mailto:info@celeroton.com)  
[www.celeroton.com](http://www.celeroton.com)

© Celeroton AG. All rights reserved.