

Motor

CM-25-280



Permanent-magnet motor CM-25-280

Permanent-magnet machine for direct drive of applications with highest speed demands.

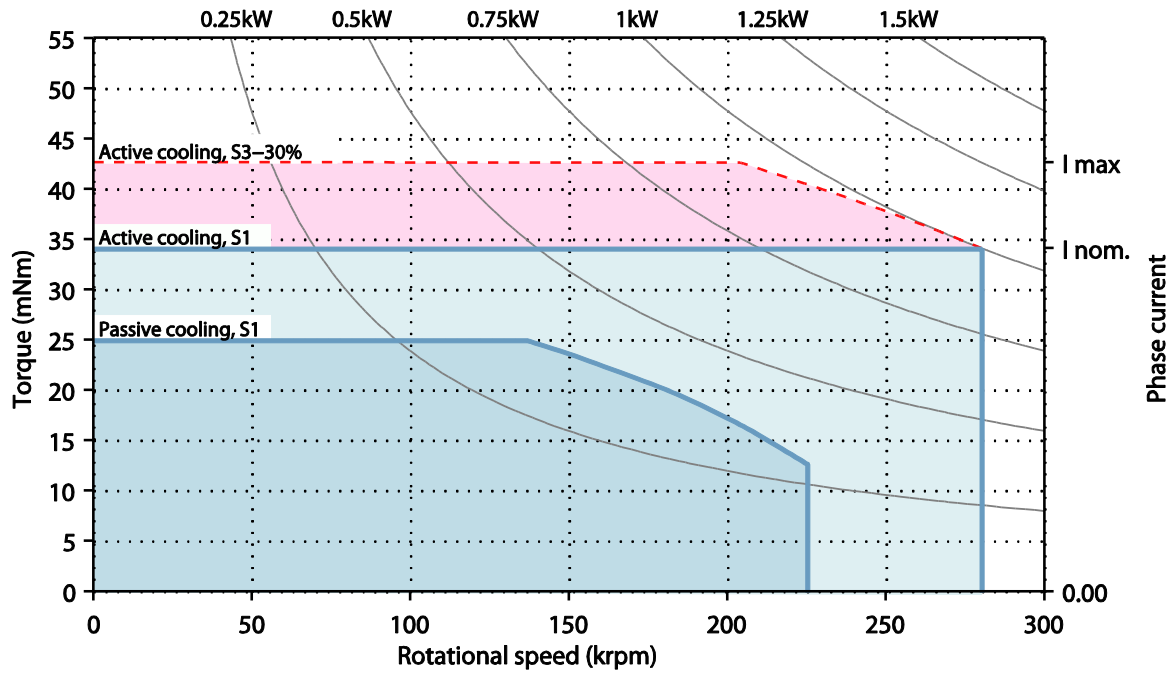
- Special mechanical rotor construction for highest stresses
- Stator winding and core configuration for optimal efficiency despite highest rotational speeds
- Low heat generation in stator and rotor
- High-speed ball bearings
- Compatible with converter CC-100-1000 and CC-230-3500
- Customized adaptations available



Specifications

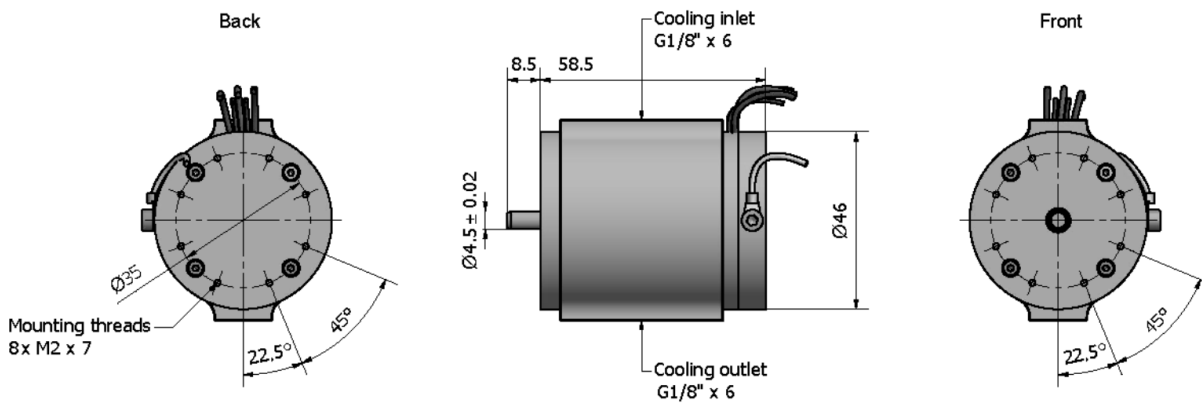
Pole-pair number	1
Rated speed	280,000 rpm
Rated power	1,000 W
Rated torque	34 mNm
Weight	380 g
Temperature measurement	Pt100
Axial moment of inertia (rotor)	$4.0 \cdot 10^{-7} \text{ kg m}^2$

Operation range¹



¹For winding option W04

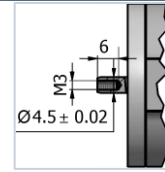
Drawing (in mm)



Order codes: **CM-25-280.Rxxx.Bxx.Fxx.Cxx.Wxx**

Rotor type Rxxx

RM00	Without boring/thread (standard)
RM03	With M3 thread (right hand)
RD03	With 3 mm boring
RC99	Other bore diameter/threads on request



Bearing options Bxx

B00	Standard ball bearing, up to 280,000 rpm (standard)
B01	Vacuum ball bearing, up to 100,000 rpm (higher speeds on request)
B99	Custom ball bearings

Front flange Fxx

F00	Standard flange, rotor dismountable only without front load attached (standard)
F01	Half-shell flanges, rotor dismountable with front load attached
F99	Custom related flange

Cooling flange Cxx

C00	Cooling flange with radial G1/8" inlet/outlet, flexible orientation (standard)
C99	Other cooling flanges

Winding options Wxx

W01	CC-230-3500
W04	CC-100-1000

Optional services for customized adaptations

- Thermal design
- Rotordynamic design
- Balancing
- Mechanical design

Celeroton AG

Industriestrasse 22
CH-8604 Volketswil

Tel.: +41 44 250 52 20
Fax: +41 44 250 52 29

info@celeroton.com
www.celeroton.com

© Celeroton AG. All rights reserved.