

CT-1050-He

Highly compact, high-speed, electrically driven radial turbo compressor with gas bearing for the circulation and compression of helium (other noble, inert gases or refrigerants on request).

- High-speed gas bearings for oil free and contamination free operation
- Lowest ratio of volume and weight versus pressure and mass flow due to highest speeds
- Aerodynamic and electromagnetic optimization for highest total efficiency
- Compatible to converter CC-230-3500
- Integrated temperature measurement for overload protection

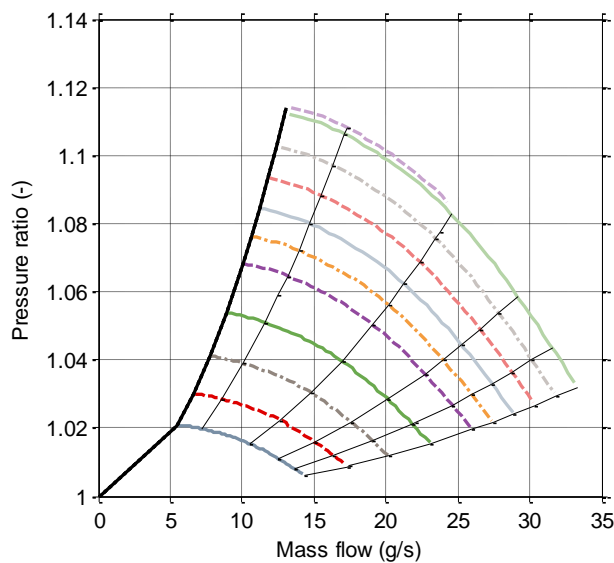


Specifications turbo compressor (Inlet conditions: Helium, 4 bar abs., 20 °C)

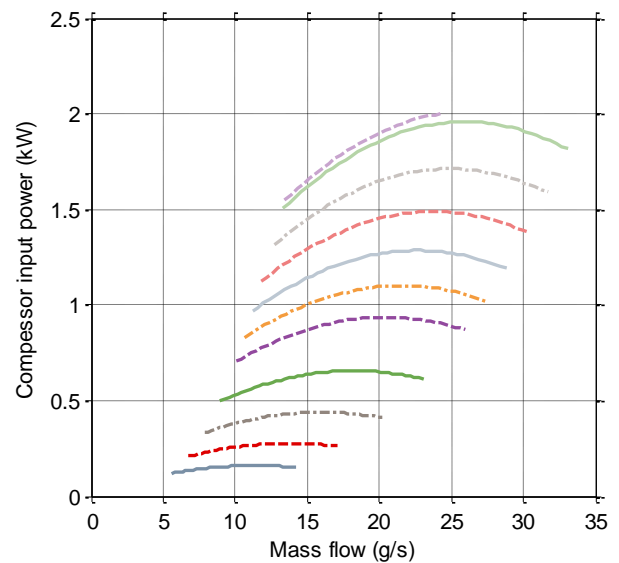
Model	CT-1050-He
Maximum pressure ratio	1.1
Maximum mass flow	33 g/s
Maximum isentropic efficiency ¹	65%
Maximum speed	232,000 rpm
Maximum compressor input power	2 kW
Weight (excl. cable)	4.6 kg
Cooling	Liquid cooling (water/glycol, 20-30 °C, >4 l/min)

Compressor map: overpressure operation

Pressure ratio versus mass flow



Compressor input power versus mass flow



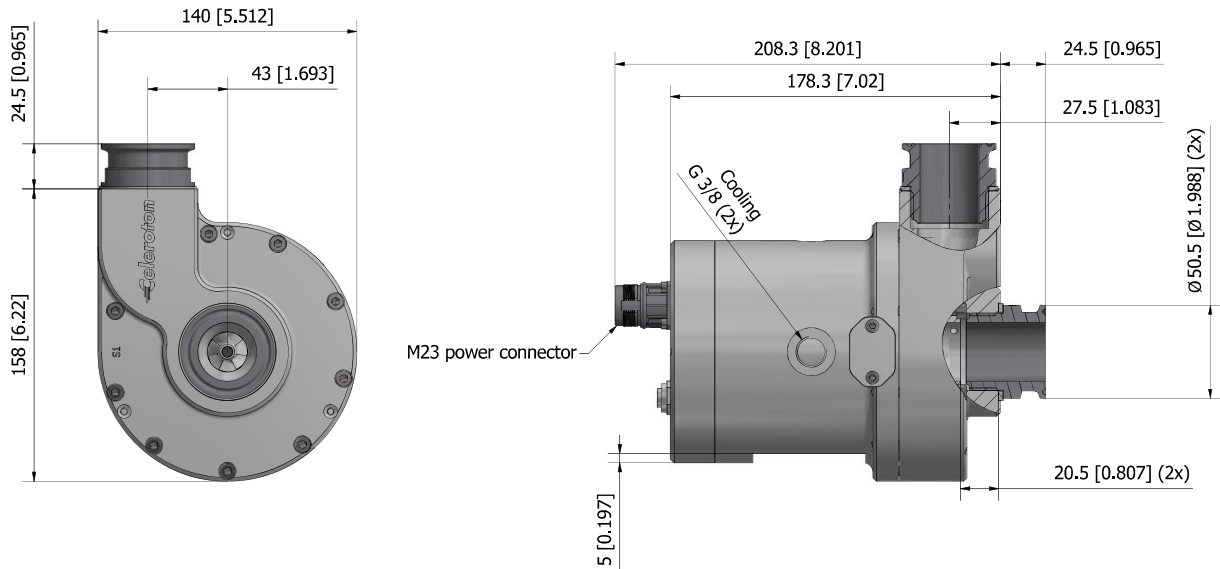
¹ Isentropic overall efficiency including aerodynamic, motor and bearing efficiency

All rights reserved. All information in this document is based on Celeroton's best knowledge and is not to be considered as a warranty or quality specification. The information given is designed as a guidance and customers are requested to check the suitability and usability of the product in their specific application with consulting Celeroton. The information herein is subject to change without notification.

Order codes: CT-1050-He

Ordering information	Article number
CT-1050-He	4010039
CT-1050-He with CC-230-3500 (230/110 VAC)	4040039

Drawing in mm [inch]²



The specifications and compressor maps in this document refer to helium at the inlet of the compressor: temperature: $T = 20\text{ }^{\circ}\text{C}$, absolute pressure: $p_{in} = 4\text{ bar}$.



Depending on custom specific operation conditions such as e.g. gas inlet pressure and temperature, humidity, cooling conditions, the operation in environmental conditions with vibrations and/or depending on the combination of the compressor and the corresponding Celeroton converter, the compressor maps shown in this document may be different or may have additional limitations.

For technical details and further information, please refer to the user manual or contact Celeroton directly.

² CF flange CL-MA32-DIN505G114-4L, optional. G 1¼ without CF flange

All rights reserved. All information in this document is based on Celeroton's best knowledge and is not to be considered as a warranty or quality specification. The information given is designed as a guidance and customers are requested to check the suitability and usability of the product in their specific application with consulting Celeroton. The information herein is subject to change without notification.