

## CT-17-1000.GB

Highly compact, high-speed, electrically driven radial turbo compressor with gas bearing for the circulation and compression of various gases and refrigerants.

- High-speed gas bearings for oil-free operation
- Lowest ratio of volume and weight versus pressure and mass flow due to highest speeds
- Aerodynamic and electromagnetic optimization for highest total efficiency
- Compatible to converter CC-120-1000 or CC-230-3500
- Integrated temperature measurement for overload protection

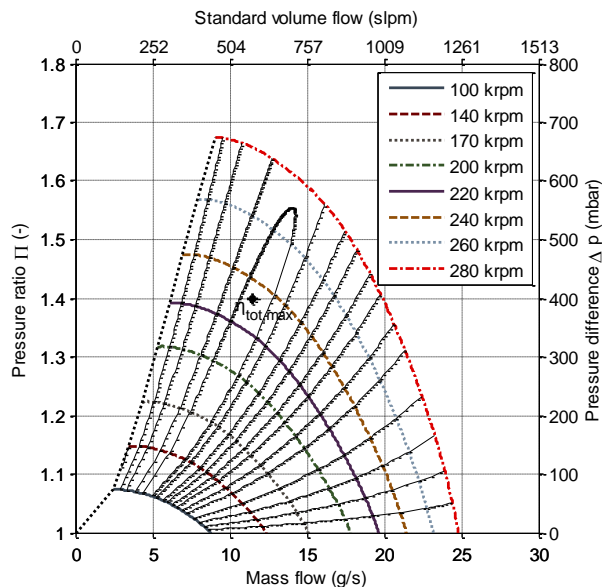


### Specifications turbo compressor

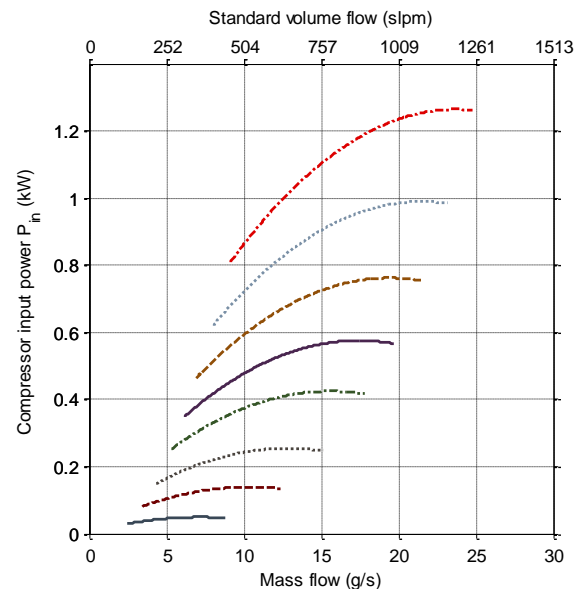
Maximum pressure ratio	1.65
Maximum mass flow	24 g/s
Isentropic overall efficiency <sup>1</sup>	59%
Rated speed (active cooling)	280,000 rpm
Rated power	1,000 W
Weight	1.5 kg

### Compressor maps: overpressure operation

Pressure ratio versus mass flow



Compressor input power versus mass flow

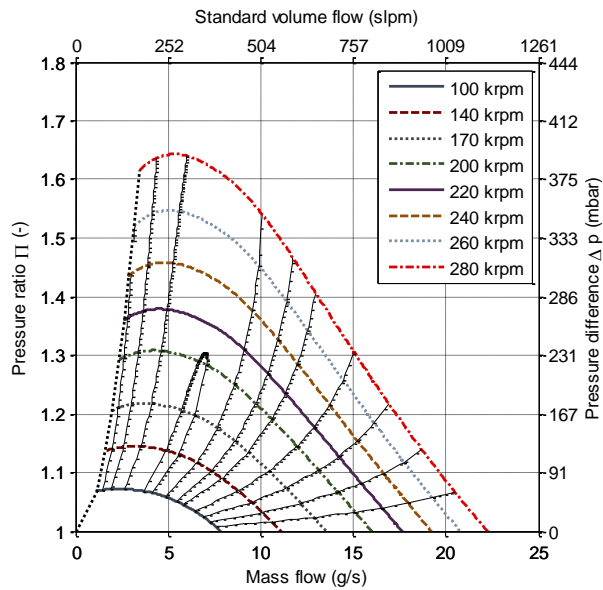


<sup>1</sup>Isentropic overall efficiency including aerodynamic, motor and bearing efficiency

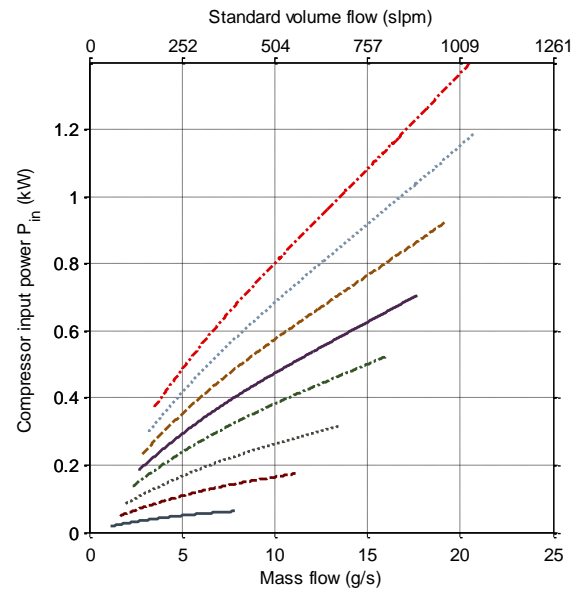
All rights reserved. All information in this document is based on Celeroton's best knowledge and is not to be considered as a warranty or quality specification. The information given is designed as a guidance and customers are requested to check the suitability and usability of the product in their specific application with consulting Celeroton. The information herein is subject to change without notification.

## Compressor maps: vacuum operation

Pressure ratio versus mass flow



Compressor input power versus mass flow



Order codes: CT-17-1000.GBxx.Wxx

### Bearing options GBxx

GB01 Air bearing at ISO 8778 inlet conditions

GB99 Custom specific gas bearing (inlet conditions and/or gas, etc.)

### Winding options Wxx

W01 Standard winding

### Ordering information

### Article number

CT-17-1000.GB01.W01 with CC-120-1000 (40 – 120 VDC) 4040003

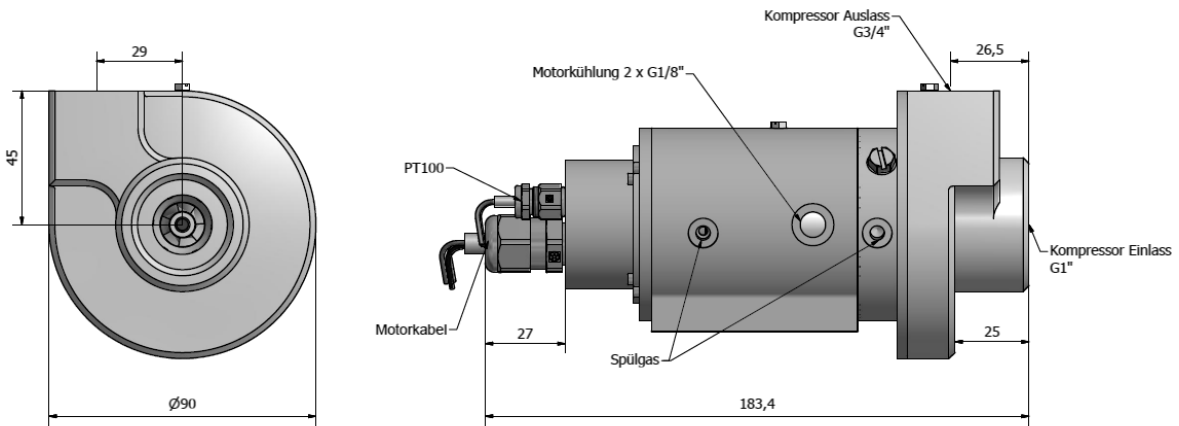
CT-17-1000.GB01.W01 with CC-230-3500 (230/110 VAC) 4040004

### Accessories

Damper set for mounting in mobile application

### Drawing (in mm)

All rights reserved. All information in this document is based on Celeroton's best knowledge and is not to be considered as a warranty or quality specification. The information given is designed as a guidance and customers are requested to check the suitability and usability of the product in their specific application with consulting Celeroton. The information herein is subject to change without notification.



The specifications and compressor maps in this document for



- an overpressure operation refers to air (ISO 8778) at the inlet of the compressor with: temperature:  $T = 20^{\circ}\text{C}$ , absolute pressure:  $p_{in} = 1 \text{ bar}$ .
- a vacuum operation refers to air (ISO 8778) at the inlet of the compressor with: temperature:  $T = 20^{\circ}\text{C}$ , and a compressor absolute outlet pressure:  $p_{in} = 1 \text{ bar}$ .



Depending on custom specific operation conditions such as e.g. gas inlet pressure and temperature, humidity, cooling conditions, the operation in environmental conditions with vibrations and/or depending on the combination of the compressor and the corresponding Celeroton converter, the compressor maps shown in this document may be different or may have additional limitations.

For technical details and further information, please refer to the user manual or contact Celeroton directly.